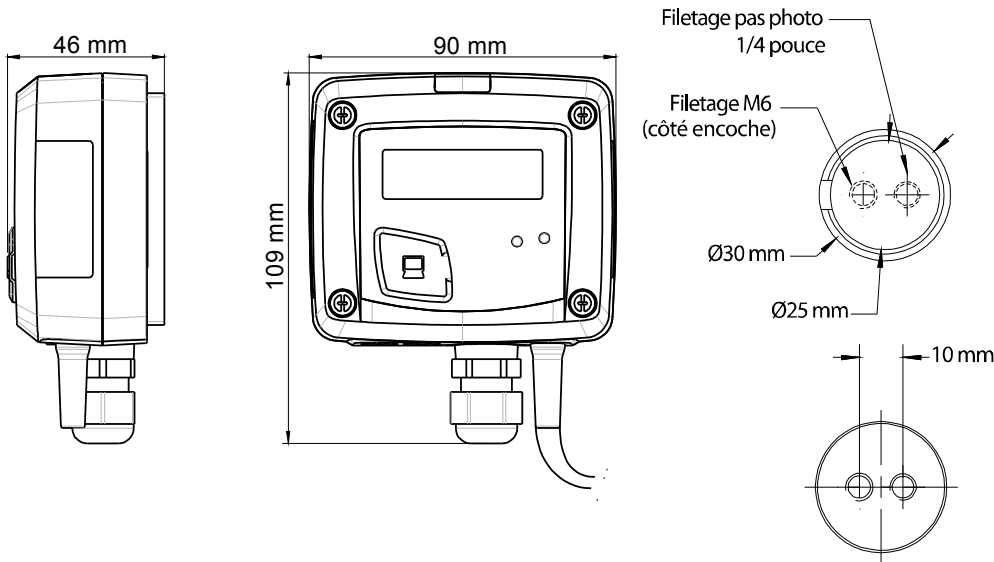


**CR 110**



- 0 1500W/m2
- 0~10V active , 24 Vac/Vdc (3-4 wires)  
or 4-20 mA passive loop , 16~30 Vdc (2wire)
- ABS V0 , IP65( ), 가
- "¼ turn" system mounting with wall-mount plate
- 



: ABS V0 as per UL94

: IP65

: LCD 10 digits. Size : 50 x 17 mm

**Height of digits :** Values : 10 mm ;  
Units : 5 mm

: For cables Ø 8 mm maximum

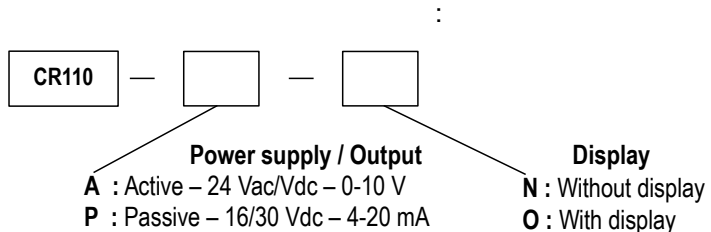
: 140 g

: cable of 2 m length

in PVC

	W/m <sup>2</sup>
	From 0 to 1500 W/m <sup>2</sup>
	5% of reading
	1 W/m <sup>2</sup>
	Air and neutral gas
	From 0 to +50 °C
	From -10 to +70 °C

\*All the accuracies indicated in this technical datasheet were stated in laboratory conditions, and can be guaranteed for measurements carried out in the same conditions, or carried out with calibration compensation.

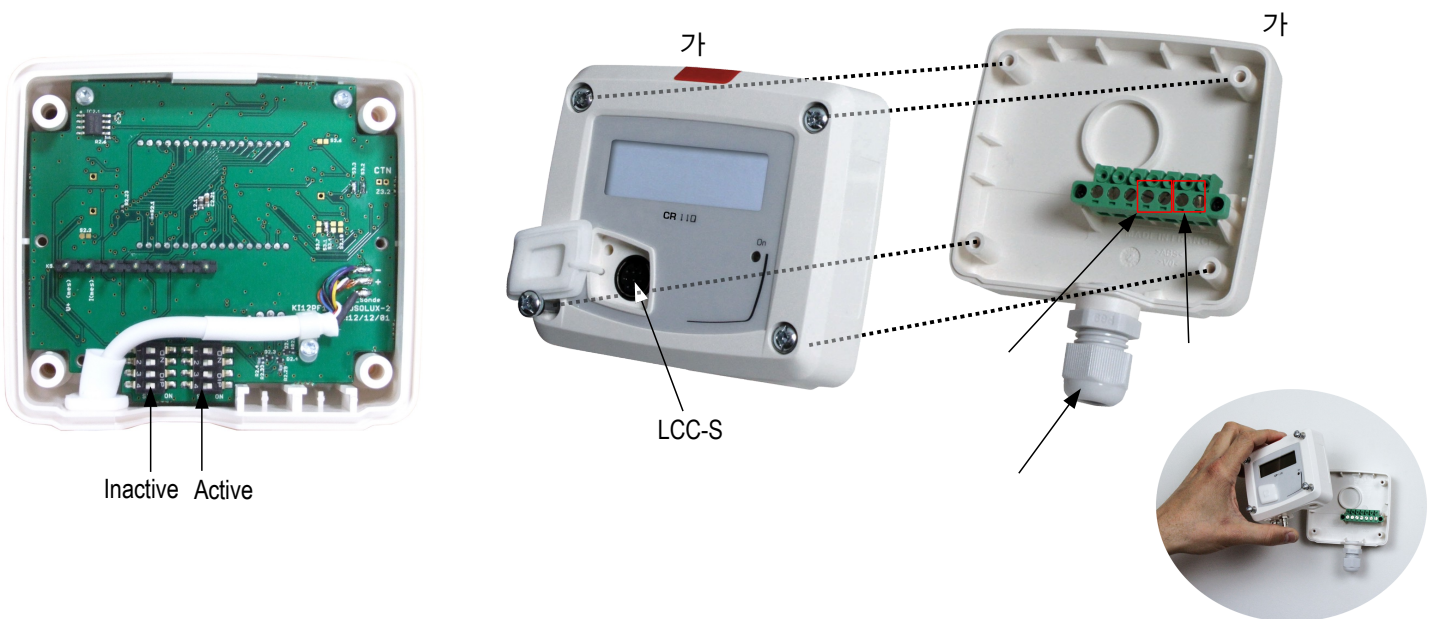


**Example : CR110-PO**

4-20mA passive ,

	From 0 to 1500 W/m <sup>2</sup>
	400-1100 nm
	100 mv for 1000 W/m <sup>2</sup> STC (Standard Test Conditions 25°C – Solar spectrum AM 1.5)
	Corrected until 80 °
	+0.1 %/°C
	1 cm <sup>2</sup>
	From -30 to +60 °C
	100%RH
UV	Excellent (PPMA filter)
	Photovoltaic
	Polycrystallin silicon
	Translucent PPMA
	Polyutethane resin and housing in PPMA and polyacetol
	60 g
	30 x 32 mm
	IP65

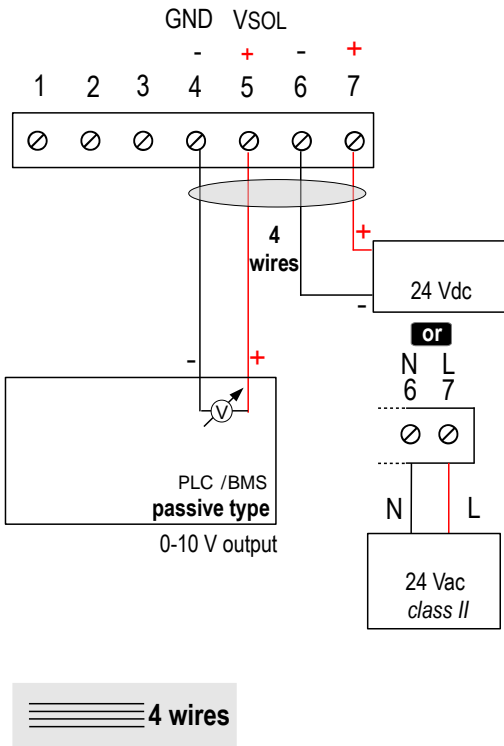
/	<ul style="list-style-type: none"> <li>- active 0-10 V (power supply 24 Vac/Vdc ± 10%), 3-4 wires</li> <li>- passive loop 4-20 mA (power supply 16/30 Vdc), 2 wires</li> <li>- maximum load : 500 Ohms (4-20 mA)</li> <li>- minimum load : 1 K Ohms (0-10 V)</li> </ul>
	2 VA (0-10 V) or max. 22 mA (4-20 mA)
	EN61326
	Screw terminal block for cables Ø0.05 to 2.5 mm <sup>2</sup>
PC	USB-mini Din Kimo cable
	Air and neutral gases



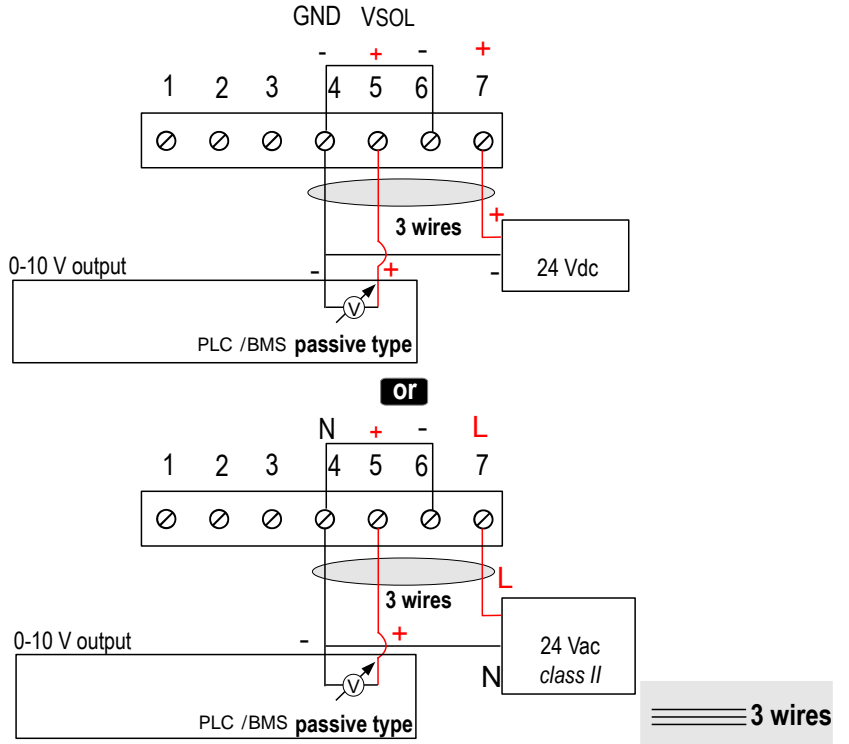
- NFC15-100 standard

**!** This connection must be made by a qualified technician. To make the connection, the transmitter must not be energized.

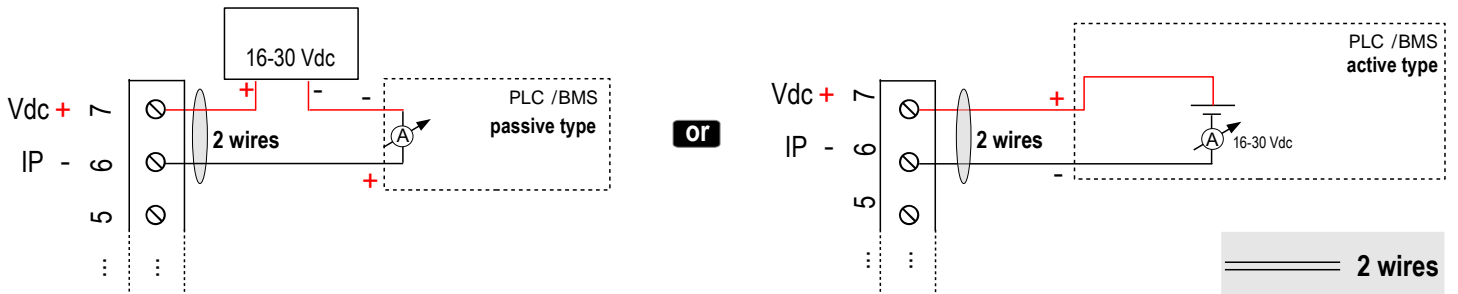
For CR110-A models with 0-10 V output – active :



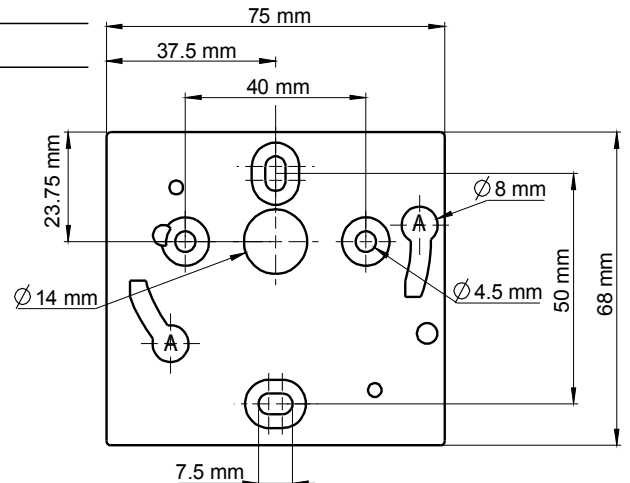
**!** To make a 3-wire connection, before powering up the transmitter, please connect the output ground to the input ground. See drawing below.



For CR110-P models with 4-20 mA output – passive :



6mm 가 "A" 30



---

---

가 ,

가 .

---

- **KIAL-100A** : Class2 , 230Vac input, 24Vac output
- **LCC-S** : USB
- Angle mounting
- Fixing kit for solar panels

[www.kimocorea.com](http://www.kimocorea.com)

Distributed by :



EXPROT DEPARTMENT

Tel : 02-338-0023 Fax : 02-338-0083

e-mail : kimo@kimocorea.com